**VEHICLE TYPE**

**ISUZU / KENWORTH / PETERBILT / MITSUBISHI /
DETROIT DIESEL ZETROS MERCEDES / IVECO**

TRANSMISSION CODE

**MD 3000 / 3060 / 3200 / 3070 /3500/ 3560 / 3066 / 3566
HD 4000 / 4060 / 4070 / 4076 /4560 /4430 / 4440 /4500
4600 /4800**

This side-mounted PTO transmission has a single, two-axis output.

It is mounted in the main transmission. The PTO gear proportionally transmits the power received from the main transmission to the output through the gears in the transmission.

The equipment output is compatible with the ISO4-bolted pump output. Optionally, the output can be provided with SAE-B/BB/-C splined shafts and couplings.

There is no activation/deactivation mode, it becomes activation as soon as it receives movement from main transmission.

The lubrication system is provided by oil from the main transmission. There is no need to add oil to the PTO later.

HİDROLİK POMPA ve ARA ŞANZİMAN PTO İMALAT
SAN.LTD.ŞTİ.

AOS. 1. OSB. Erkunt Cad. No: 6 Sincan / ANKARA

Tel.+90 312 267 39 71-Fax +90 312 267 38 72

info@kozmaksan.com.tr

Website: www.kozmaksan.com.tr

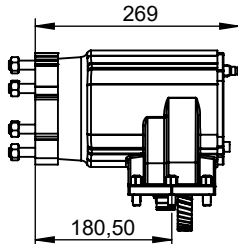
TECHNICAL VALUES			
	MAX VALUES	RATIO 68 Teeth / 83 Teeth / 97 Teeth	WORKING RPM RANGE (MAX)
◇1	57 Kw - 544 Nm	1,17 / 0,96 / 0,82	
	50 Kw - 477 Nm	1,03 / 0,84 / 0,72	
	44 Kw - 420 Nm	0,90 / 0,74 / 0,63	

Optimum Working Temperature	25-80°C
Short-term Working Temperature	80-90°C
Risky Working Temperature	OVER 90°C

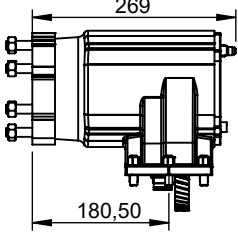
* Output Power ; The rpm and output power may vary. If you have any question, please contact Kozmaksan for exact working values.

WEIGHT	18 Kg / 39,6 lbs
BODY MATERIAL	GGG-50 DIN 0.7050
OIL TYPE	ATF

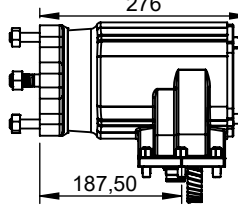
Output Options



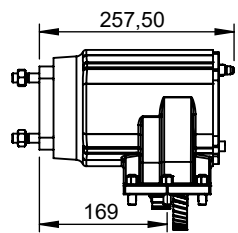
Connection Type	UNV.-->SAE-B
Kw-Nm Values	57Kw - 544 Nm



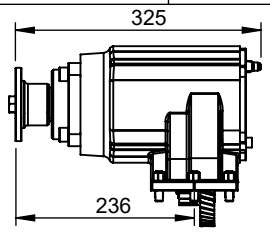
Connection Type	UNV.-->SAE-BB
Kw-Nm Values	57Kw - 544 Nm



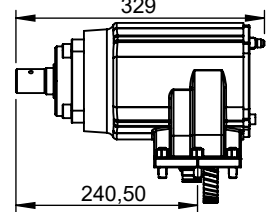
Connection Type	UNV.-->SAE-C
Kw-Nm Values	57Kw - 544 Nm



Connection Type	UNV.-->ISO
Kw-Nm Values	57Kw - 544 Nm



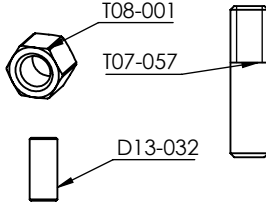
Connection Type	UNV.-->UF
Kw-Nm Values	57Kw - 544 Nm



Connection Type	UNV.-->KEY SHAFT
Kw-Nm Values	57Kw - 544 Nm

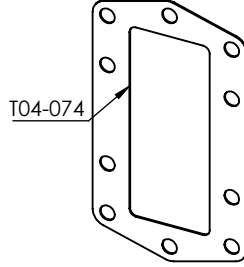
Standart Installation Kit

Transmission Mounting Parts



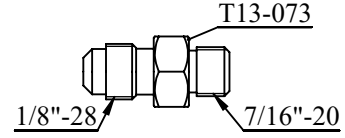
	Code	Qty
1	T08-001	8
2	T07-057	8
3	D13-032	2

Transmission Gasket

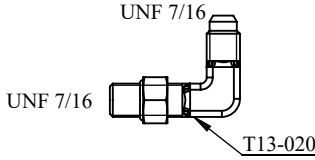


	Code	Qty
4	T04-074	1

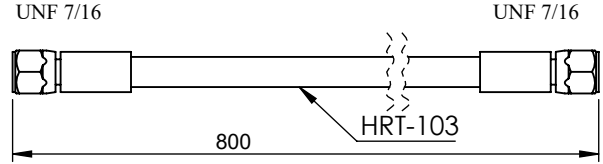
Lubrication Fitting



	Code	Qty
5	T13-073	1



	Code	Qty
6	T13-020	1
7	HRT-103	1



No	Code	Description
1	T08-001	M10 REINFORCED NUT 8*8
2	T07-057	M10X40 STUD
3	D13-032	Ø11x25 CENTERING PIN
4	T04-074	ALLISSON FACE GASKET
5	T13-073	R1/8"-28 - 7/16"-20 NIPPLE
6	T13-020	7/16x 7/16 UNF T NUT ELBOW WITH CONTRA
7	HRT-103	7/16" - 7/16" 80cm HYDRAULIC 3/16" HOSE

Center of Gravity

